

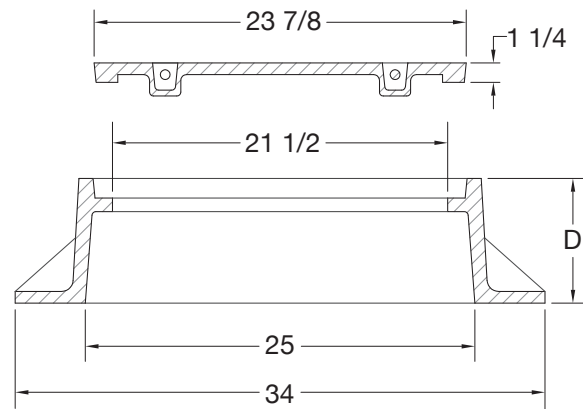
PRODUCT NO.	MARKING	COVER
MDCDS	Sewer	Solid
MDCSS	Storm Drain	Solid
MDCDV	Sewer	1 Vent Hole
MDCSV	Storm Drain	1 Vent Hole

NOTES:

- Dimensions are approximate & in inches
- Gray Iron, Class 35B
- Conforms to ASTM A48 / A48M-03 specifications



Manhole Frame and Cover



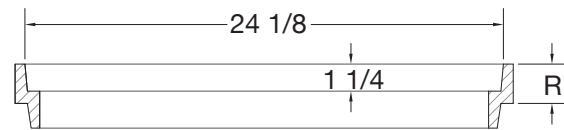
NOTES:

- Dimensions are approximate & in inches
- Gray Iron, Class 35B
- Conforms to ASTM A48 / A48M-03 specifications

FRAME
HEIGHT

PRODUCT NO.	D
W2461	6
W2481	8

Manhole Riser



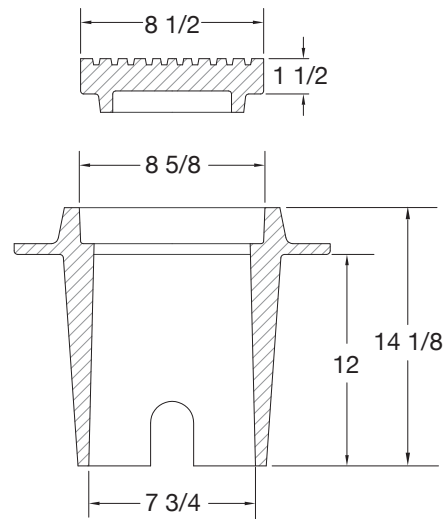
NOTES:

- Dimensions are approximate & in inches
- Gray Iron, Class 35B
- Conforms to ASTM A48 / A48M-03 specifications

PRODUCT NO.	RAISE
W2415	1-1/2
W2420	2
W2430	3



#2 Valve Box

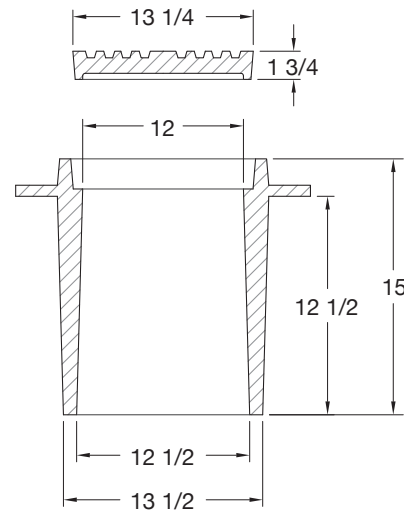
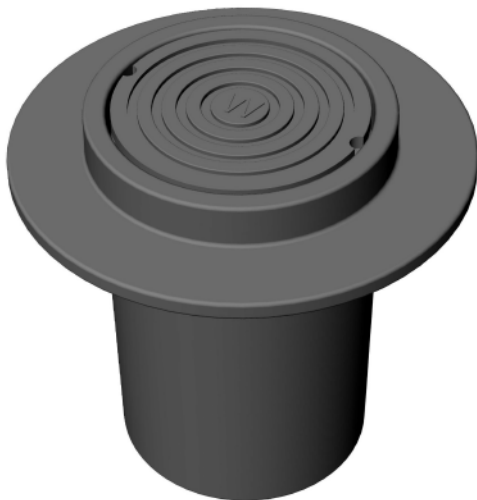


NOTES:

- Dimensions are approximate & in inches
- Gray Iron, Class 35B
- Conforms to ASTM A48 / A48M-03 specifications

PRODUCT NO.
10814

#3 Valve Box

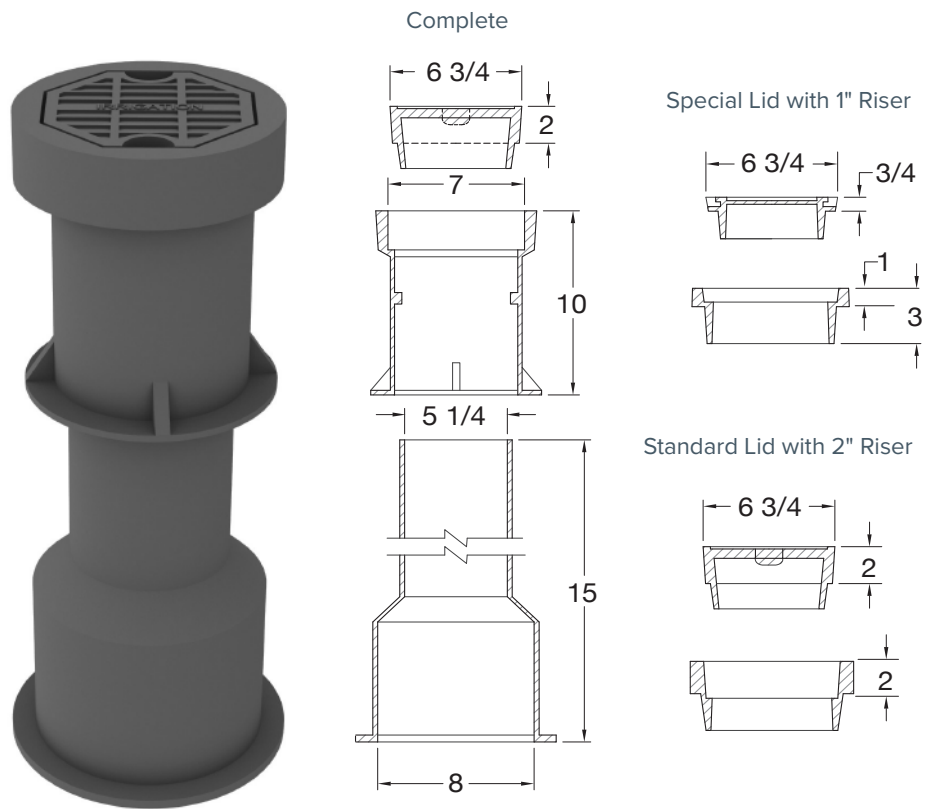


NOTES:

- Dimensions are approximate & in inches
- Gray Iron, Class 35B
- Conforms to ASTM A48 / A48M-03 specifications

PRODUCT NO.
11315



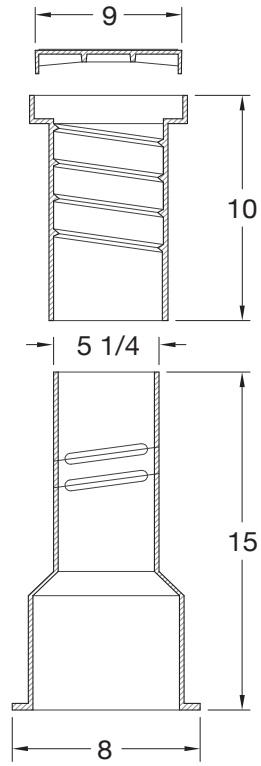
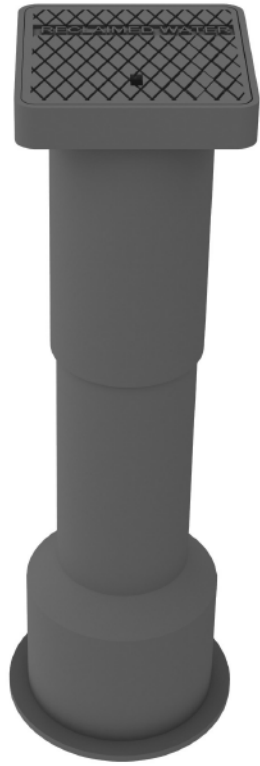


PRODUCT NO.	DESCRIPTION
30466	Complete Valve Box
30410	Special Lid with 1" Riser
30420	Standard Lid with 2" Riser

NOTES:

- Dimensions are approximate & in inches
- Gray Iron, Class 30B
- Conforms to ASTM A48 / A48M-03 specifications
- * Please specify if required in Class 35B or Ductile Iron



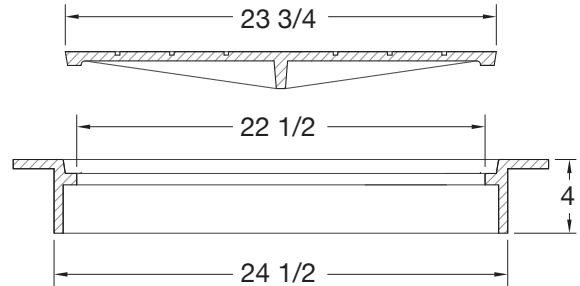
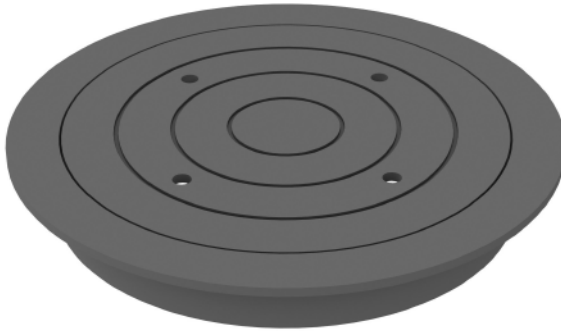


PRODUCT NO.

30469

NOTES:

- Dimensions are approximate & in inches
- Gray Iron, Class 30B
- Conforms to ASTM A48 / A48M-03 specifications
- * Please specify if required in Class 35B or Ductile Iron



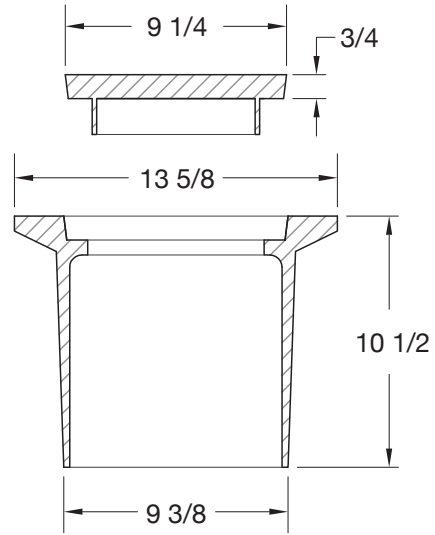
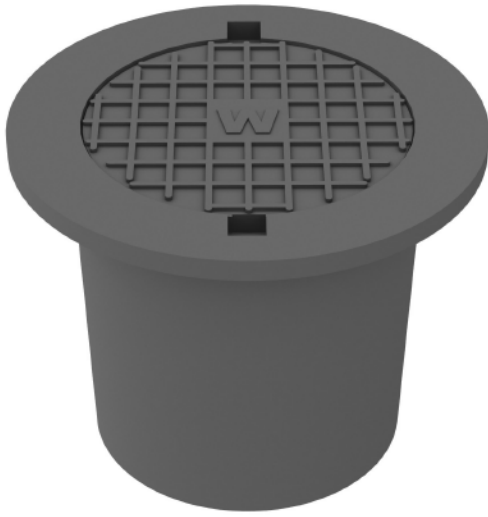
PRODUCT NO.

12344

NOTES:

- Dimensions are approximate & in inches
- Gray Iron, Class 35B
- Conforms to ASTM A48 / A48M-03 specifications
- Cover is also available without vent holes



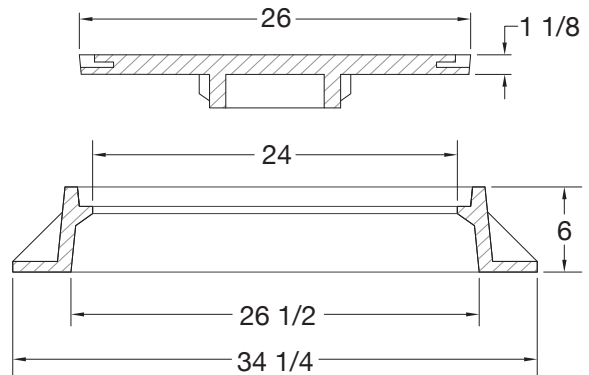


PRODUCT NO.
10910

NOTES:

- Dimensions are approximate & in inches
- Gray Iron, Class 35B
- Conforms to ASTM A48 / A48M-03 specifications

Manhole Frame and Cover



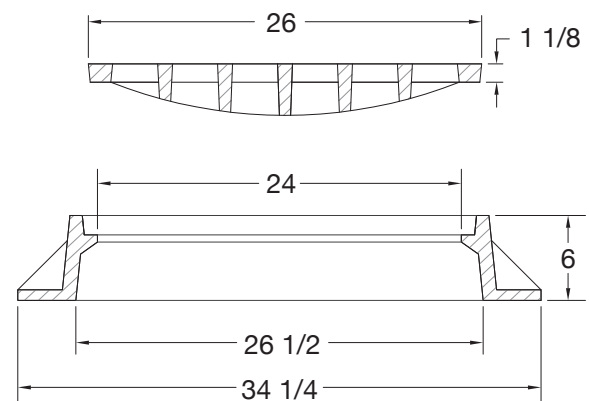
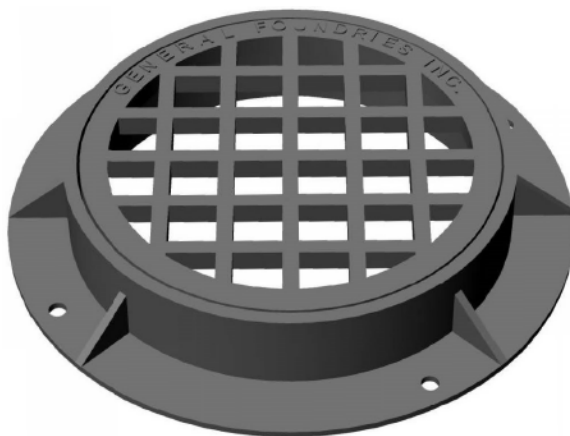
NOTES:

- Dimensions are approximate & in inches
- Gray Iron, Class 35B
- Conforms to ASTM A48 / A48M-03 specifications

PRODUCT NO.

12661

Manhole Frame and Grate



NOTES:

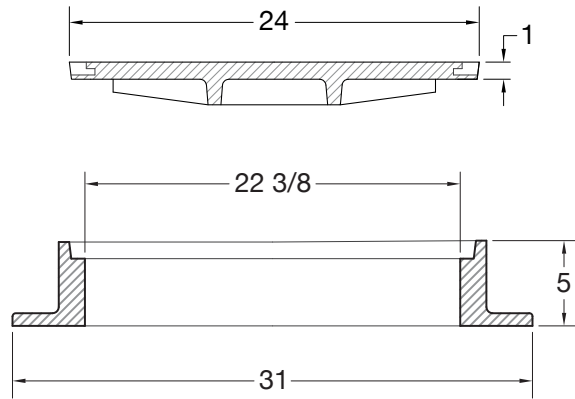
- Dimensions are approximate & in inches
- Gray Iron, Class 35B
- Conforms to ASTM A48 / A48M-03 specifications

PRODUCT NO.

12666



Manhole Frame and Cover

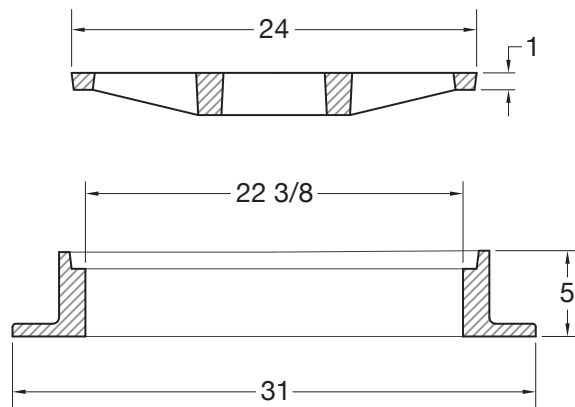


NOTES:

- Dimensions are approximate & in inches
- Gray Iron, Class 35B
- Conforms to ASTM A48 / A48-03 specifications
- Markings: Drain, Sewer
- * Custom markings / logos available upon request

PRODUCT NO.
12451

Manhole Frame and Grate



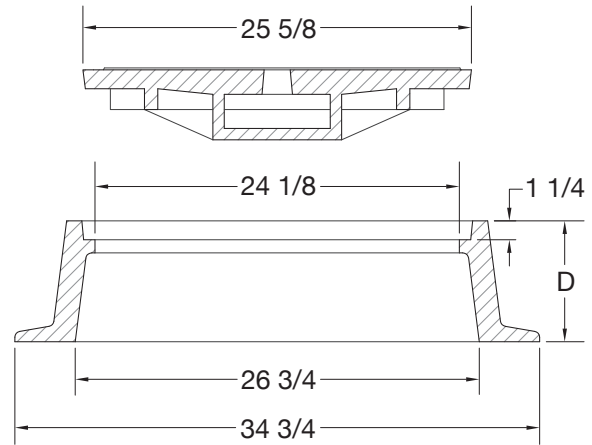
NOTES:

- Dimensions are approximate & in inches
- Gray Iron, Class 35B
- Conforms to ASTM A48 / A48-03 specifications

PRODUCT NO.
12452



A2 Manhole Frame and Cover



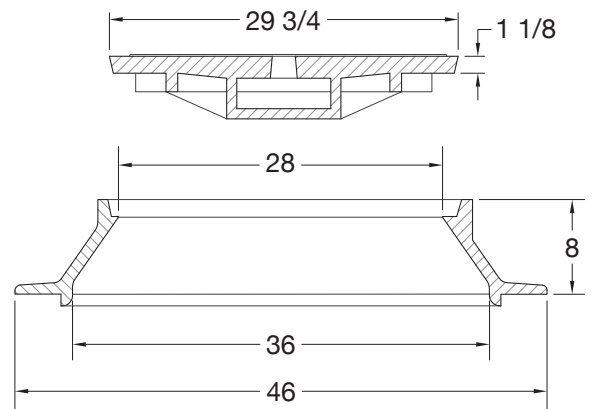
NOTES:

- Dimensions are approximate & in inches
- Gray Iron, Class 35B
- Conforms to ASTM A48 / A48M-03 specifications
- Markings: Boston Drain, Boston Sewer
- * Custom markings / logos available upon request
- 8" high frame also available with locks (please specify)

FRAME
HEIGHT

PRODUCT NO.	D
BS4A2	4
BS8A2	8

B5 Manhole Frame and Cover



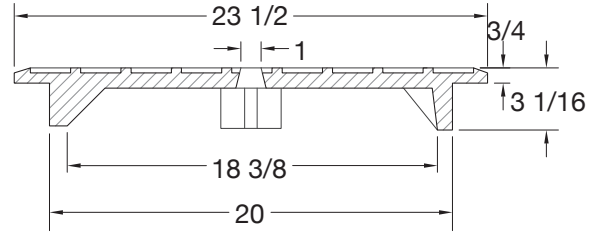
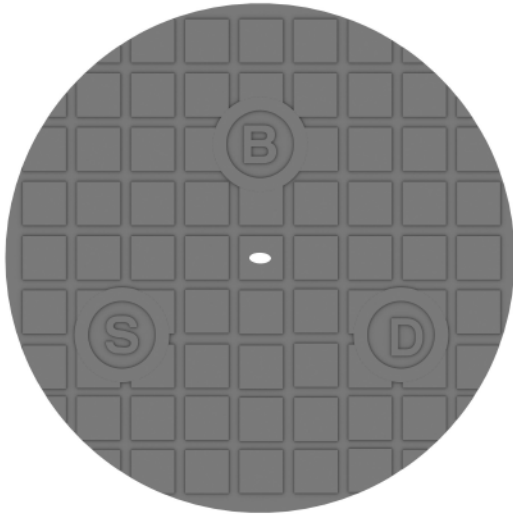
NOTES:

- Dimensions are approximate & in inches
- Gray Iron, Class 35B
- Conforms to ASTM A48 / A48M-03 specifications
- Markings: Boston Drain, Boston Sewer
- * Custom markings / logos available upon request
- Frame also available with locks (please specify)

PRODUCT NO.
BS8B5



Bradley Head Manhole Cover



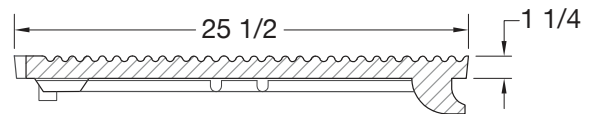
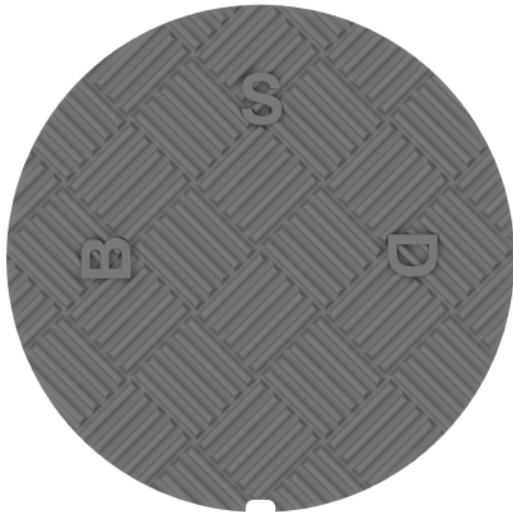
NOTES:

- Dimensions are approximate & in inches
- Gray Iron, Class 35B
- Conforms to ASTM A48 / A48M-03 specifications

PRODUCT NO.

BSBRD

A3 Sidewalk Manhole Cover



NOTES:

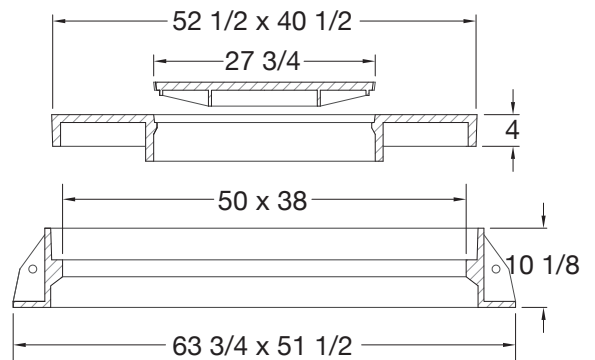
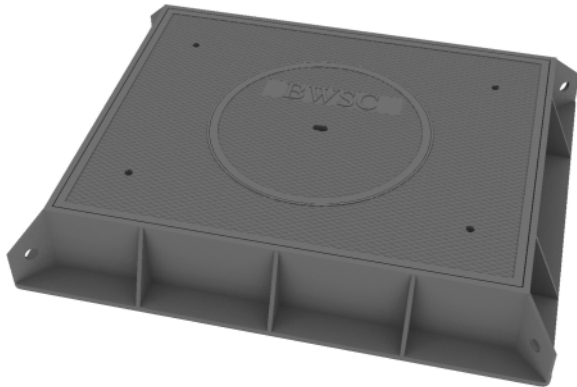
- Dimensions are approximate & in inches
- Gray Iron, Class 35B
- Conforms to ASTM A48 / A48M-03 specifications

PRODUCT NO.

BSA3C



“G” Manhole Frame and Cover

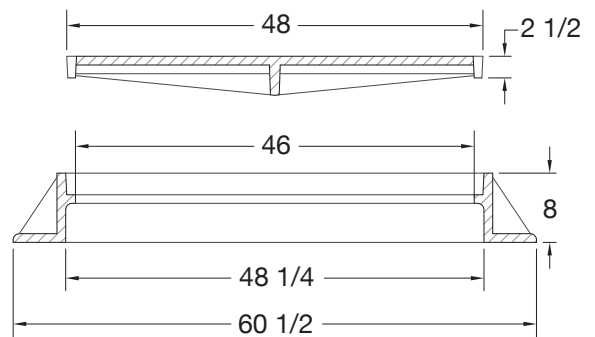


NOTES:

- Dimensions are approximate & in inches
- Gray Iron, Class 35B
- Conforms to ASTM A48 / A48M-03 specifications

PRODUCT NO.
BSGMH

48" Manhole Frame and Cover



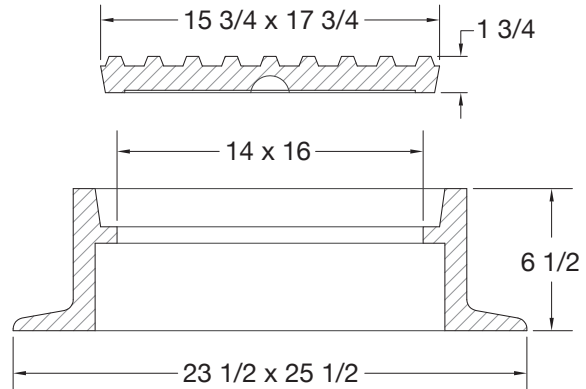
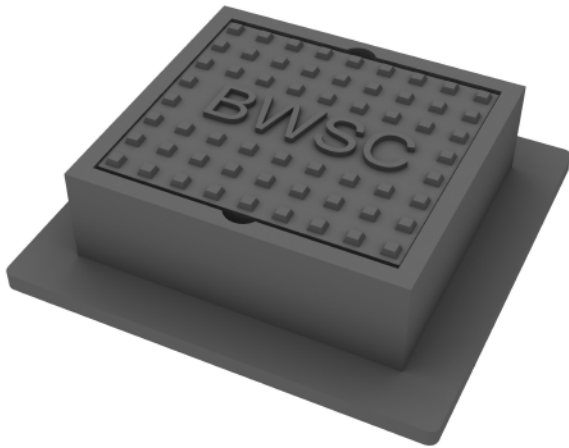
NOTES:

- Dimensions are approximate & in inches
- Gray Iron, Class 35B
- Conforms to ASTM A48 / A48M-03 specifications

PRODUCT NO.
BSM48



16" X 18" Frame and Cover (Old Design)



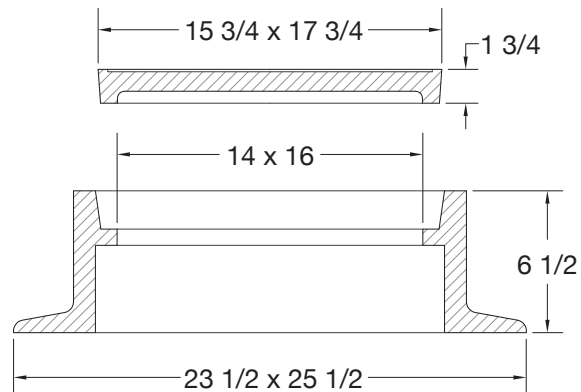
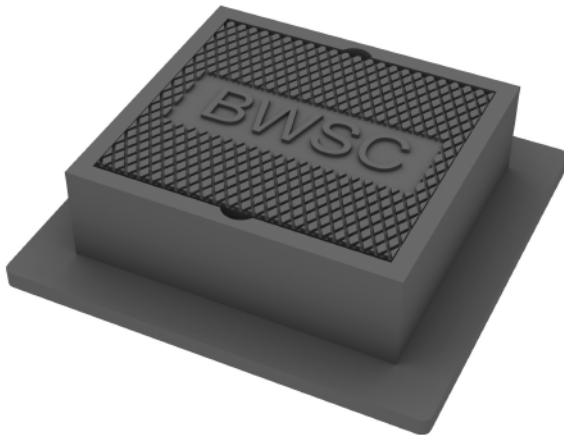
NOTES:

- Dimensions are approximate & in inches
- Gray Iron, Class 35B
- Conforms to ASTM A48 / A48M-03 specifications

PRODUCT NO.

BS680

16" X 18" Frame and Cover (New Design)



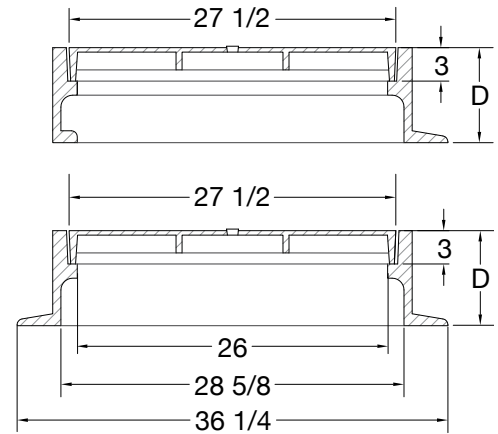
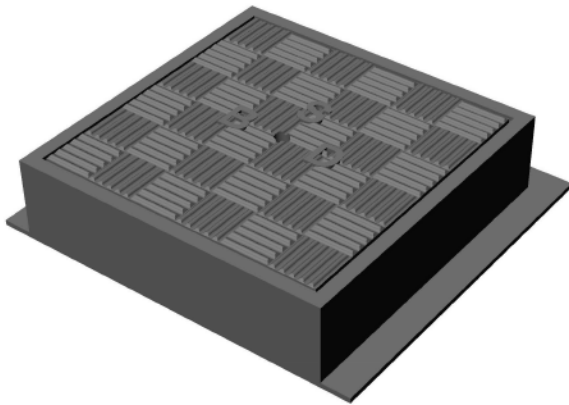
NOTES:

- Dimensions are approximate & in inches
- Gray Iron, Class 35B
- Conforms to ASTM A48 / A48M-03 specifications

PRODUCT NO.

BS68N

"E" Frame and Cover with 3FL Frame



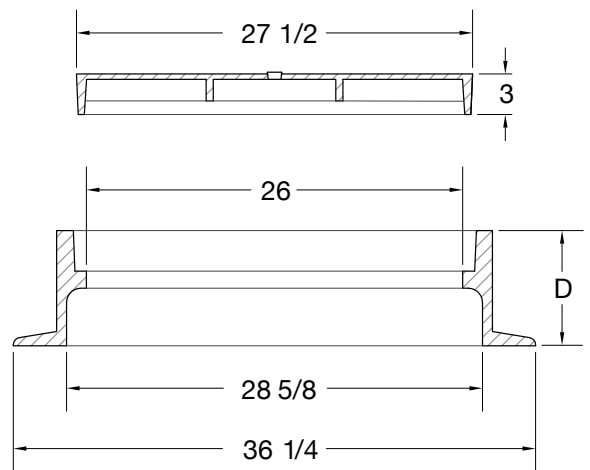
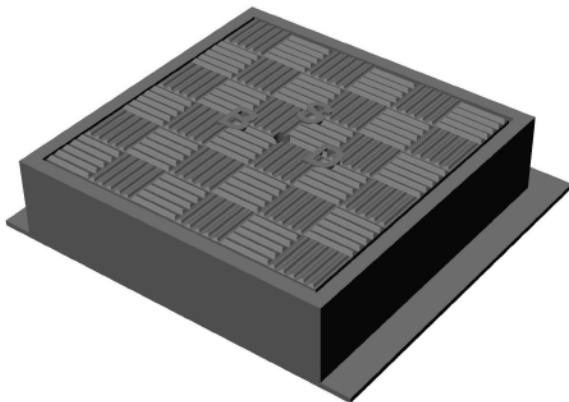
NOTES:

- Dimensions are approximate & in inches
- Gray Iron, Class 35B
- Conforms to ASTM A48 / A48M-03 specifications

FRAME
HEIGHT

PRODUCT NO.	D	FRAME
BSEC4-3	4	3 Flange
BSEC8-3	8	3 Flange

"E" Frame and Cover with 4FL Frame



NOTES:

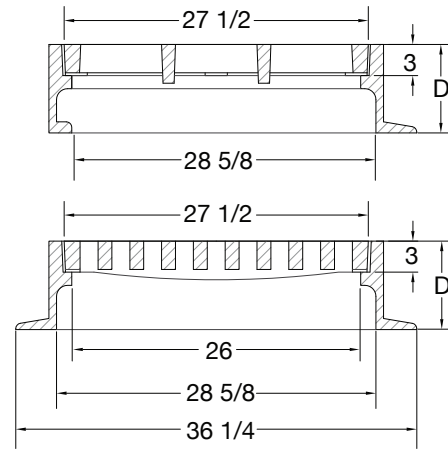
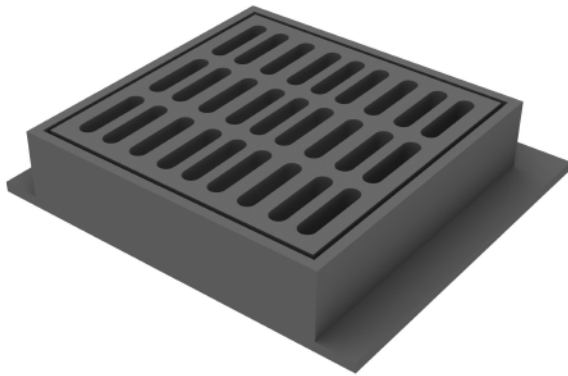
- Dimensions are approximate & in inches
- Gray Iron, Class 35B
- Conforms to ASTM A48 / A48M-03 specifications

FRAME
HEIGHT

PRODUCT NO.	D	FRAME
BSEC4-3	4	4 Flange
BSEC8-3	8	4 Flange



"E" Catch Basin with 3 FL Frame



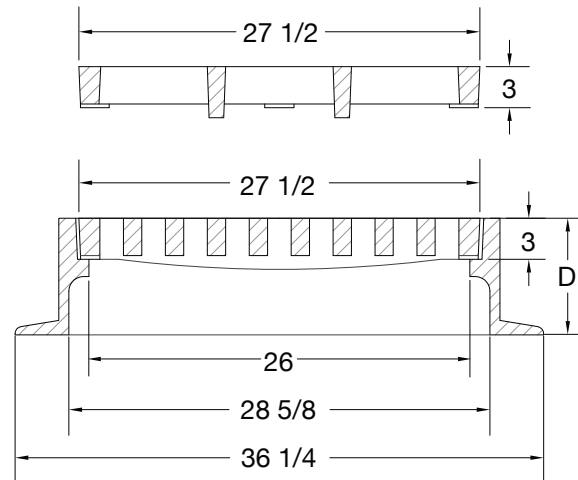
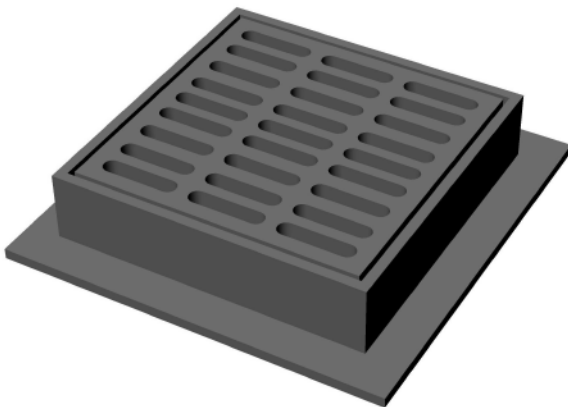
NOTES:

- Dimensions are approximate & in inches
- Gray Iron, Class 35B
- Conforms to ASTM A48 / A48M-03 specifications

FRAME
HEIGHT

PRODUCT NO.	D	FRAME
BSEG4-3	4	3 Flange
BSEG8-4	8	3 Flange

"E" Catch Basin with 4FL Frame



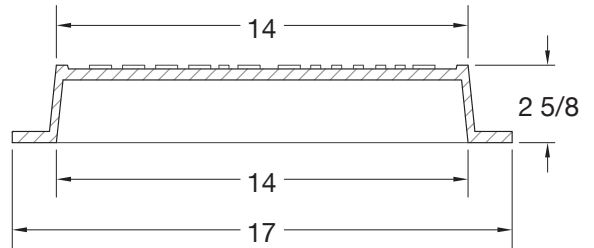
NOTES:

- Dimensions are approximate & in inches
- Gray Iron, Class 35B
- Conforms to ASTM A48 / A48M-03 specifications

FRAME
HEIGHT

PRODUCT NO.	D	FRAME
BSEG4-3	4	4 Flange
BSEG8-4	8	4 Flange





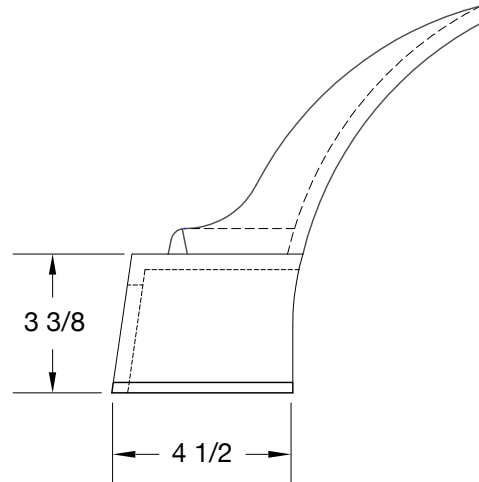
PRODUCT NO.	MARKING
BSSBH	DRAINS TO BOSTON HARBOUR
BSSCR	DRAINS TO CHARLES RIVER
BSSNR	DRAINS TO NEPONSET RIVER
BSSAB	DRAINS TO ALEWIFE BROOK

NOTES:

- Dimensions are approximate & in inches
- Gray Iron, Class 35B
- Conforms to ASTM A48 / A48M-03 specifications



Shoe



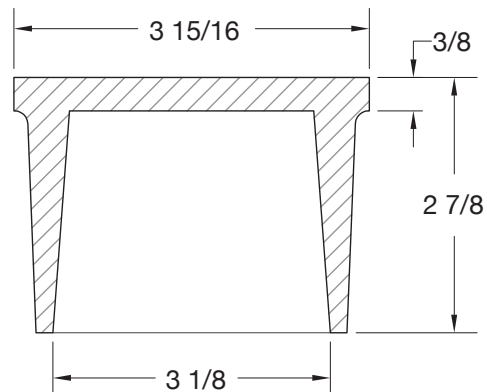
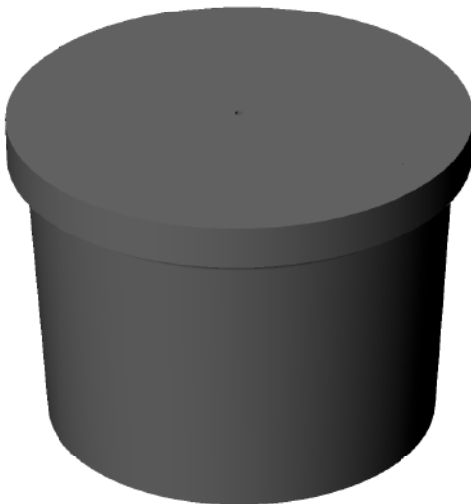
NOTES:

- Dimensions are approximate & in inches
- Gray Iron, Class 35B
- Conforms to ASTM A48 / A48M-03 specifications

PRODUCT NO.

BSHOE

Main Tube Cap

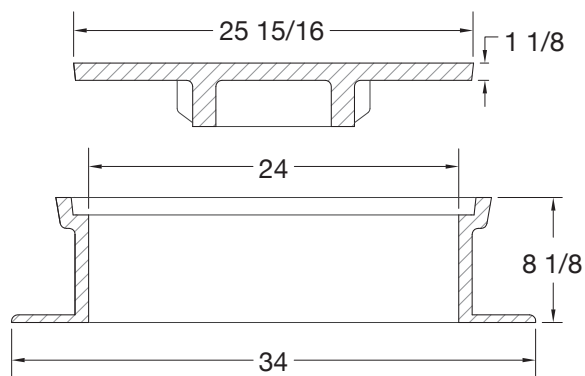


NOTES:

- Dimensions are approximate & in inches
- Gray Iron, Class 35B
- Conforms to ASTM A48 / A48M-03 specifications

PRODUCT NO.

BSCAP



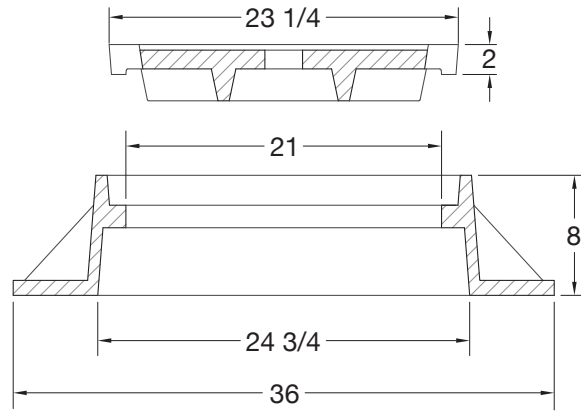
PRODUCT NO.

FM268

NOTES:

- Dimensions are approximate & in inches
- Gray Iron, Class 35B
- Conforms to ASTM A48 / A48M-03 specifications
- Markings: Drain, Sewer
- * Custom markings / logos available upon request



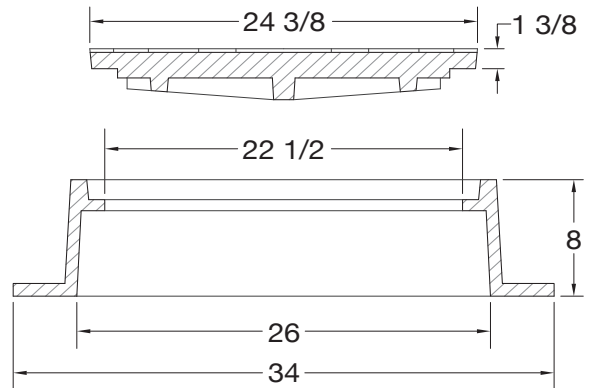


PRODUCT NO.
LOWMH

NOTES:

- Dimensions are approximate & in inches
- Gray Iron, Class 30B
- Conforms to ASTM A48 / A48M-03 specifications
 - * Please specify if required in Class 35B or Ductile Iron
- Markings: Drain, Sewer
 - * Custom markings / logos available upon request



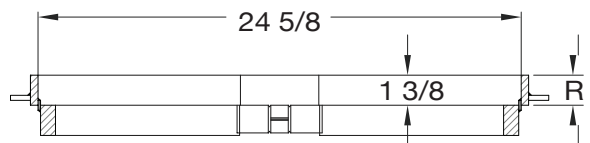
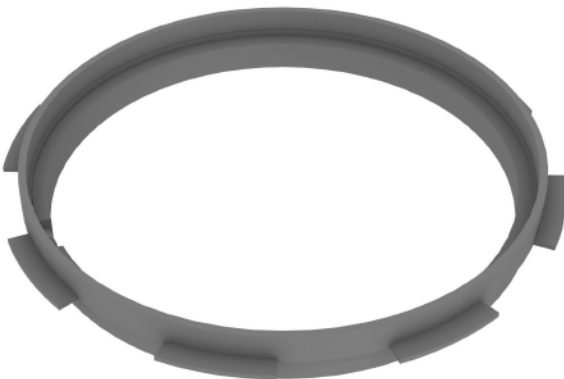


NOTES:

- Dimensions are approximate & in inches
- Gray Iron, Class 35B
- Conforms to ASTM A48 / A48M-03 specifications
- Markings: Plain, Drain, Electric, Sewer, Water
 - * Custom markings / logos available upon request
- Gasketed covers are also available
- Watertight assembly is also available

PRODUCT NO.
NWTMH

Manhole Riser



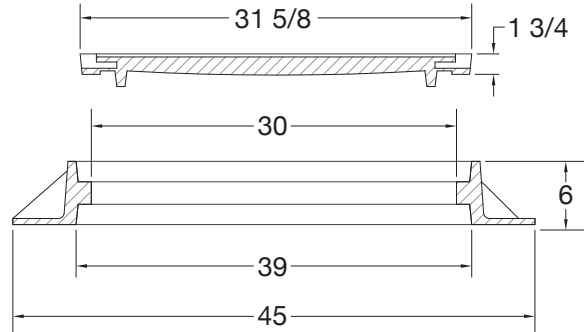
NOTES:

- Dimensions are approximate & in inches
- Gray Iron, Class 35B
- Conforms to ASTM A48 / A48M-03 specifications

PRODUCT NO.
NWR10
NWR15



Manhole Frame and Cover



NOTES:

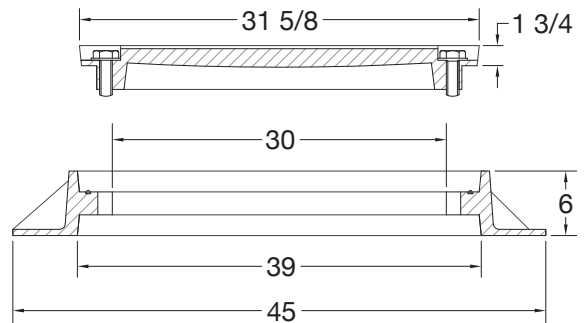
- Dimensions are approximate & in inches
- Gray Iron, Class 35B
- Conforms to ASTM A48 / A48M-03 specifications

PRODUCT NO.

WARMH

Manhole Frame and Cover

Watertight



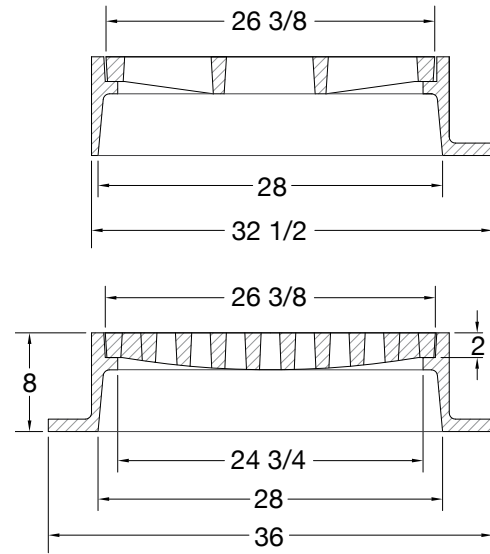
NOTES:

- Dimensions are approximate & in inches
- Gray Iron, Class 35B
- Conforms to ASTM A48 / A48M-03 specifications

PRODUCT NO.

WARWT

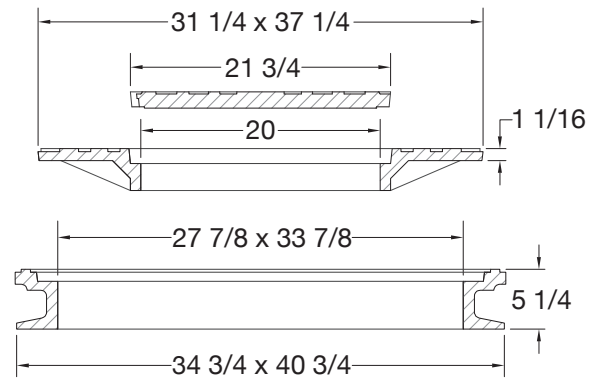
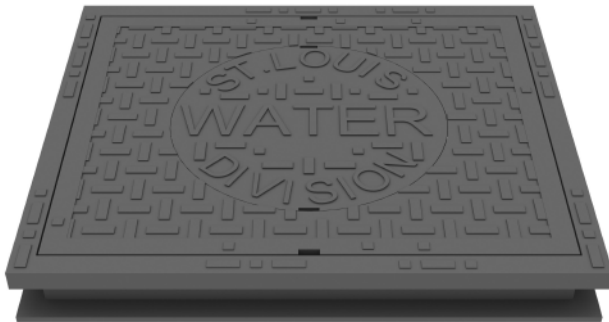
“D” Catch Basin Frame and Grate



PRODUCT NO.
MADCB

NOTES:

- Dimensions are approximate & in inches
- Gray Iron, Class 35B
- Conforms to ASTM A48 / A48M-03 specifications

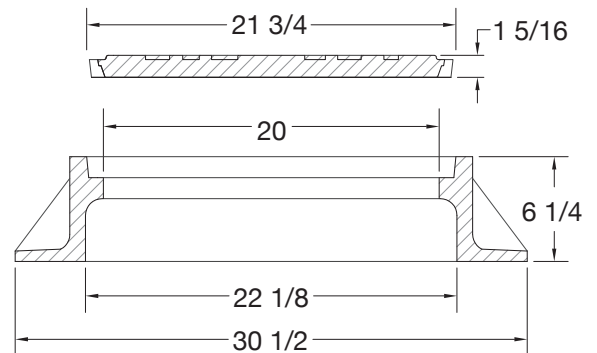


NOTES:

- Dimensions are approximate & in inches
- Gray Iron, Class 35B
- Conforms to ASTM A48 / A48M-03 specifications
- Markings: as per specifications
- * Custom markings / logos available upon request

PRODUCT NO.
SL283

Manhole Frame and Cover

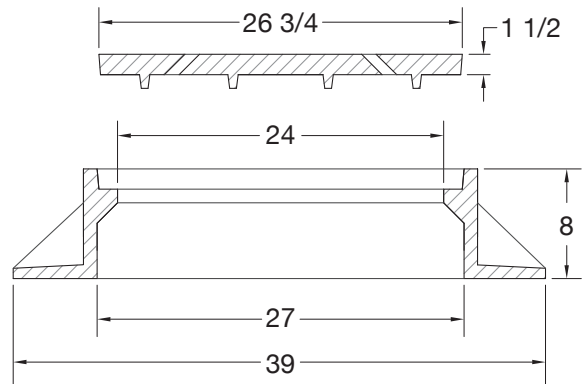
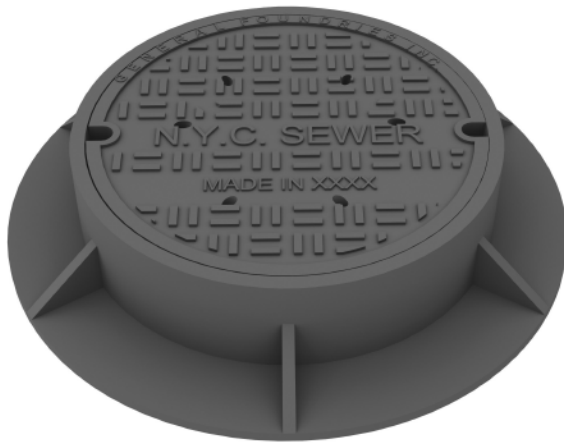


NOTES:

- Dimensions are approximate & in inches
- Gray Iron, Class 35B
- Conforms to ASTM A48 / A48M-03 specifications
- Markings: as per specifications
- * Custom markings / logos available upon request

PRODUCT NO.
SL329





PRODUCT NO.

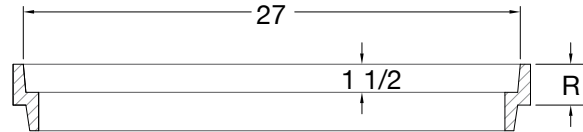
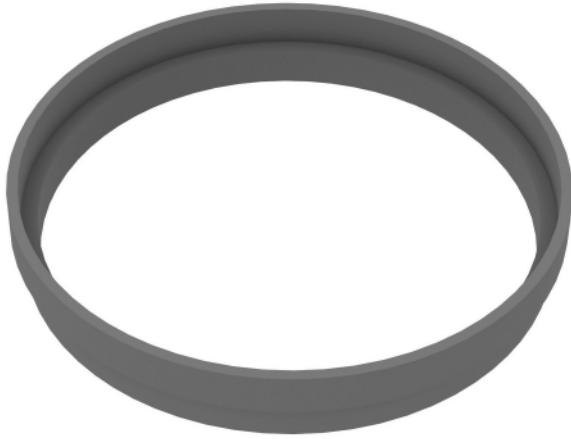
12781

NOTES:

- Dimensions are approximate & in inches
- Gray Iron, Class 35B
- Conforms to ASTM A48 / A48M-03 specifications
- Specification: conforms to NYCDEP STD. DWG. SE39



27" X 8" Manhole Riser



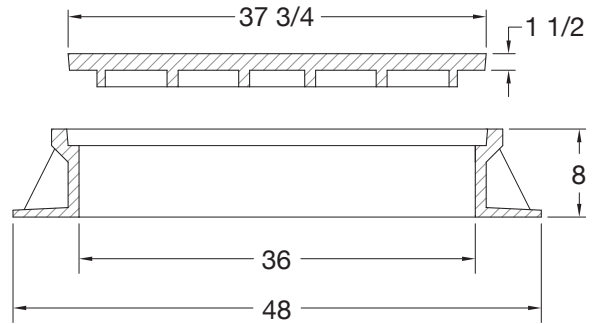
RAISE

PRODUCT NO.	R
12720	2
12730	3
12740	4

NOTES:

- Dimensions are approximate & in inches
- Gray Iron, Class 35B
- Conforms to ASTM A48 / A48M-03 specifications





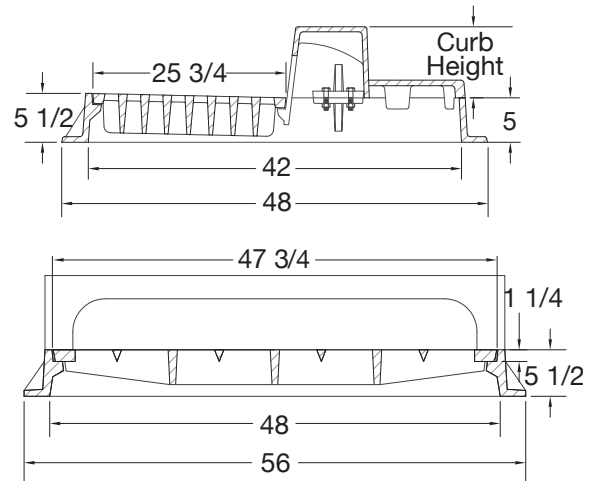
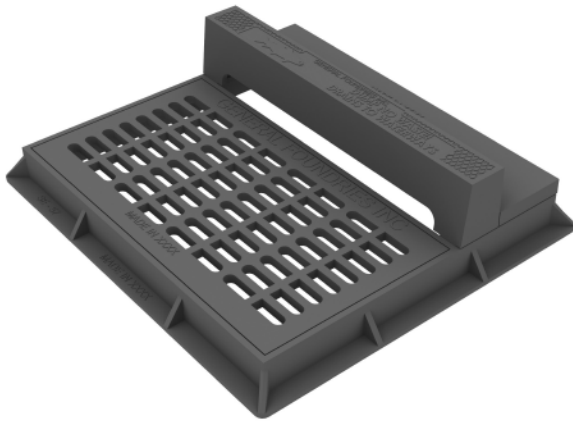
PRODUCT NO.
13685

NOTES:

- Dimensions are approximate & in inches
- Gray Iron, Class 35B
- Conforms to ASTM A48 / A48M-03 specifications
- Specifications: conforms to NYCDEP STD. DWG. SE39



Type 1 Curb Inlet With Back Plate

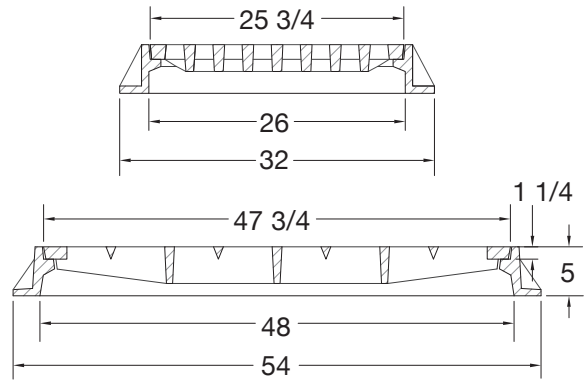
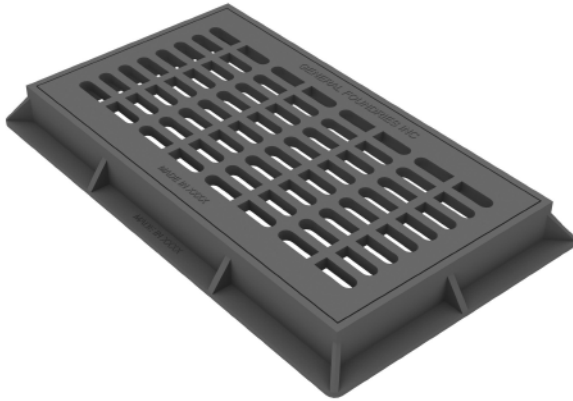


PRODUCT NO.	CURB HEIGHT
22594-6R	6
22594-8R	8

NOTES:

- Dimensions are approximate & in inches
- Gray Iron, Class 35B
- Conforms to ASTM A48 / A48M-03 specifications
- Specifications: frame conforms to NYCDEP STD. DWG. SE57, grate and back plate conform to NYCDEP STD.DWG. SE59.





PRODUCT NO.

23407

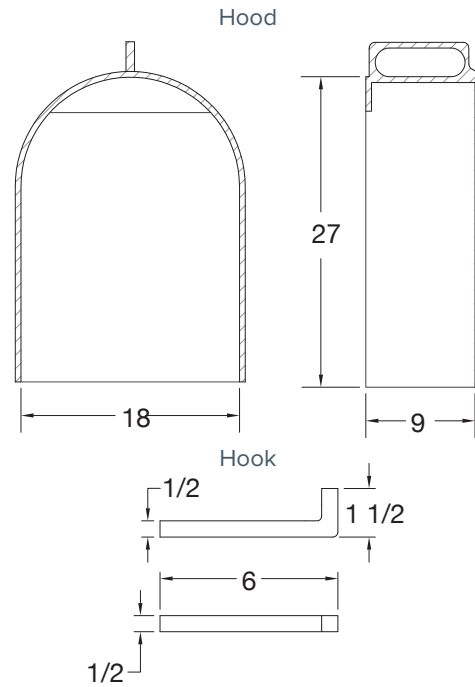
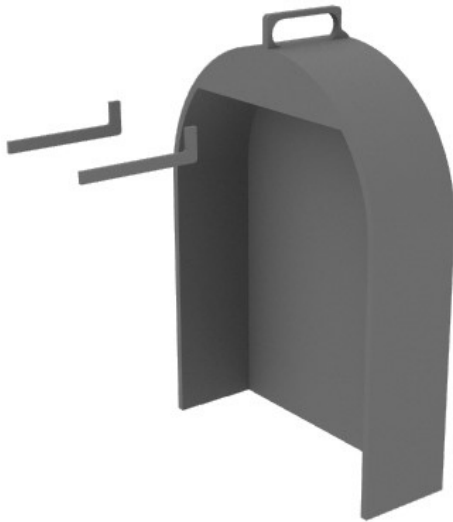
NOTES:

- Dimensions are approximate & in inches
- Gray Iron, Class 35B
- Conforms to ASTM A48 / A48M-03 specifications
- Specifications: frame conforms to NYCDEP STD. DWG. SE58, grate and back plate conform to NYCDEP STD. DWG. SE59.



Catch Basin Hood, Hooks

GENERAL FOUNDRIES

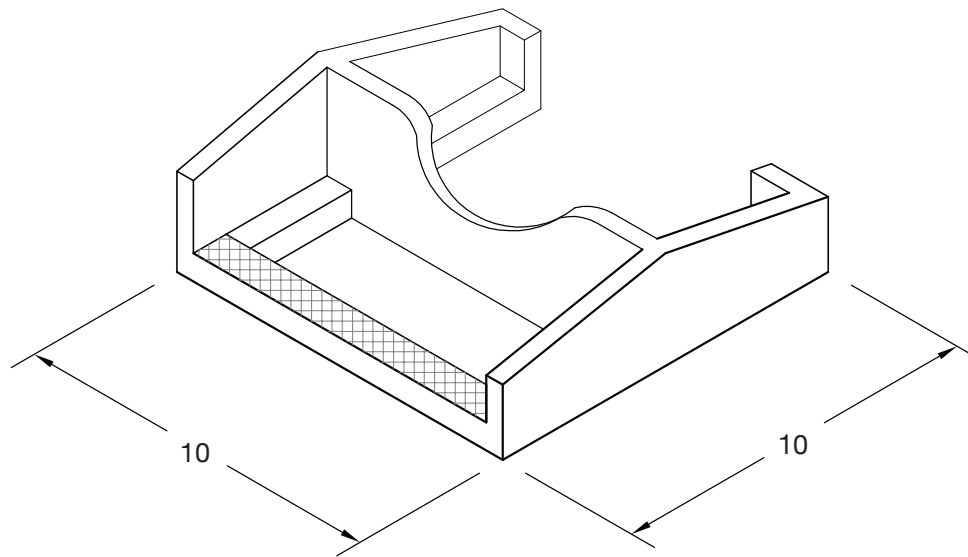


PRODUCT NO.	DESCRIPTION
22564	Catch Basin Hood
22565	Hook

NOTES:

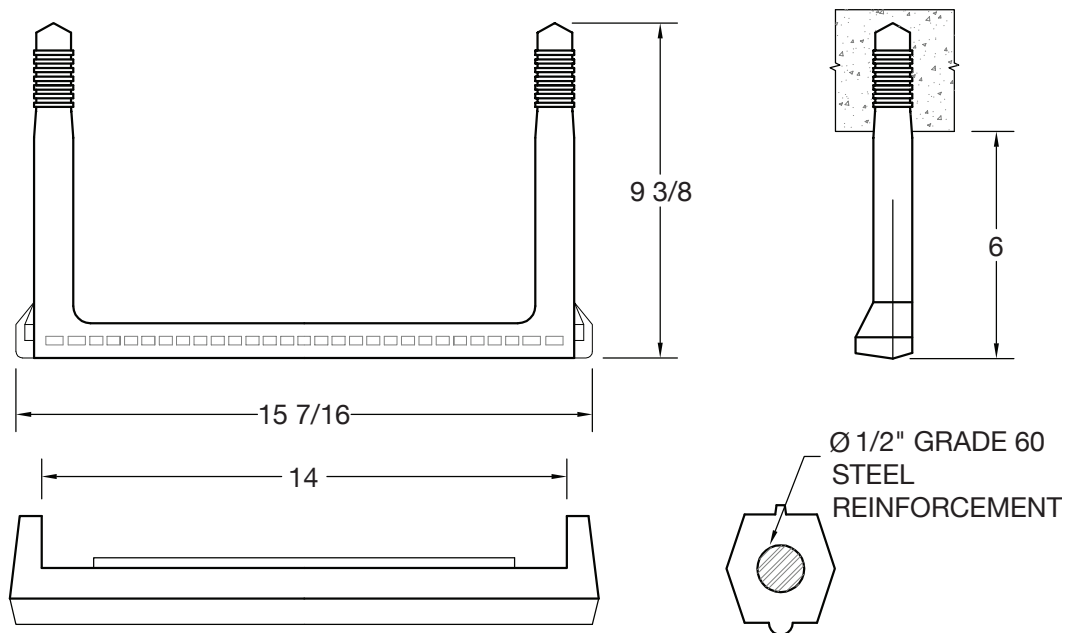
- Dimensions are approximate & in inches
- Gray Iron, Class 35B
- Conforms to ASTM A48 / A48M-03 specifications
- Specifications: frame conforms to NYCDEP STD. DWG. SE60.





PRODUCT NO.
GFC S1

Plastic Manhole Step

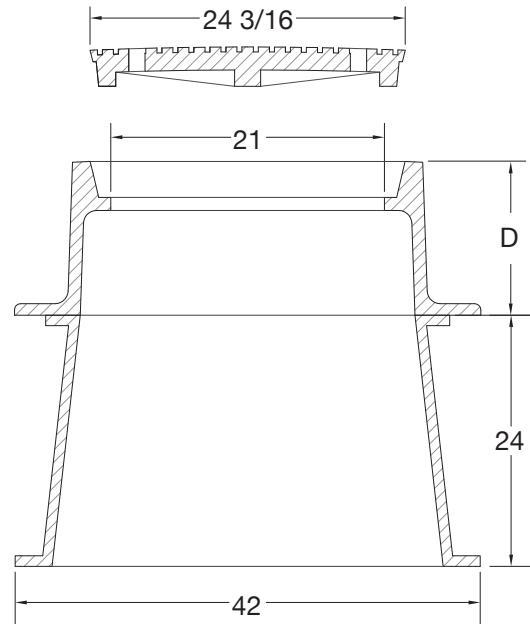


PRODUCT NO.
GS2PF

NOTES:

- Dimensions are approximate & in inches





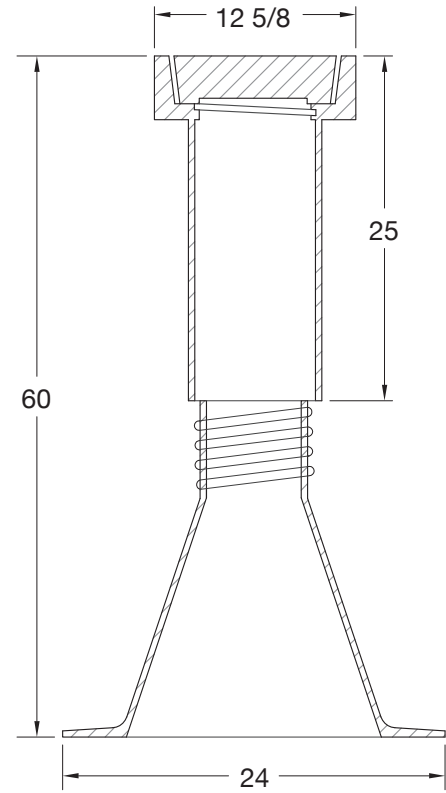
FRAME
HEIGHT

PRODUCT NO.	D
34400	6
34403	12

NOTES:

- Dimensions are approximate & in inches
- Gray Iron, Class 35B
- Conforms to ASTM A48 / A48M-03 specifications
- Specifications: frame and cover conform to NYCDEP STD. DWG. 13547-B-Z, skirt conforms to NYCDEP STD. DWG. 10240-A-Z.





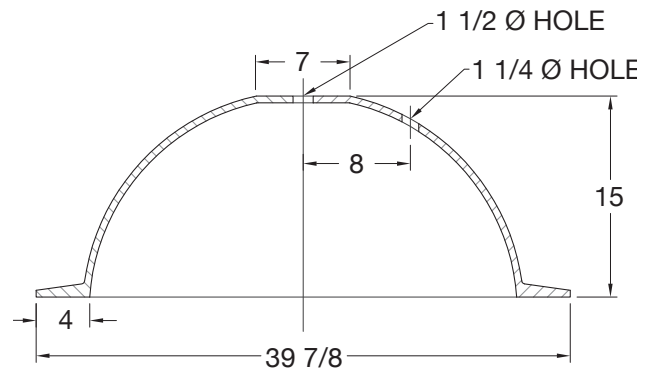
PRODUCT NO.

34425

NOTES:

- Dimensions are approximate & in inches
- Gray Iron, Class 35B
- Conforms to ASTM A48 / A48M-03 specifications
- Specifications: Conforms to NYCDEP STD. DWG. 10241-A-Z



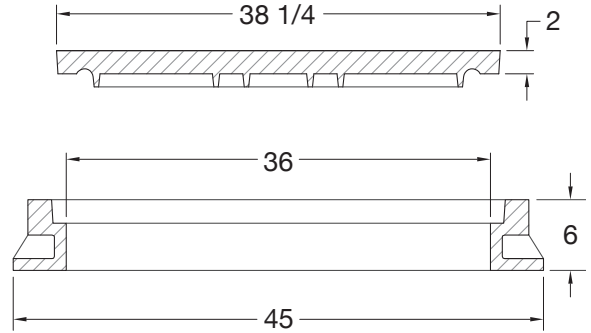
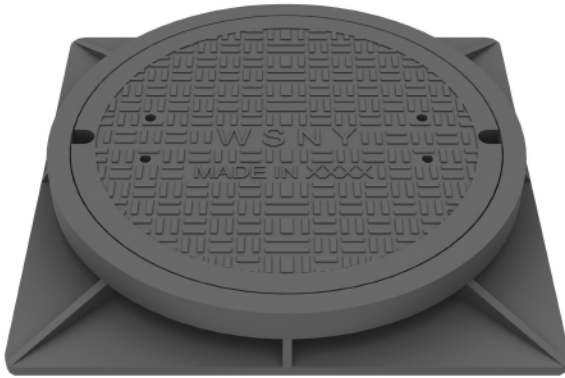


PRODUCT NO.
34435

NOTES:

- Dimensions are approximate & in inches
- Gray Iron, Class 35B
- Conforms to ASTM A48 / A48M-03 specifications
- Specifications: Conforms to NYCDEP STD. DWG. 22809-Z.





PRODUCT NO.

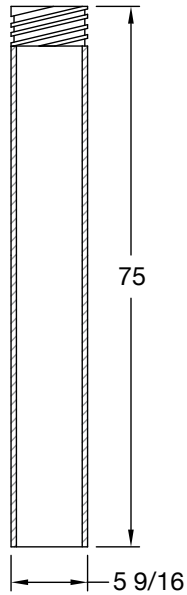
13861

NOTES:

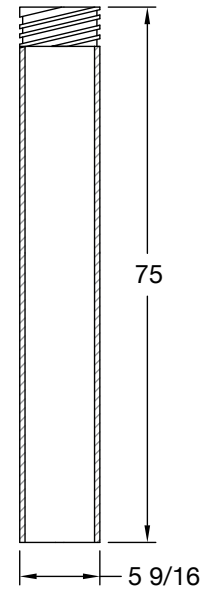
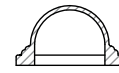
- Dimensions are approximate & in inches
- Gray Iron, Class 35B
- Conforms to ASTM A48 / A48M-03 specifications
- Specifications: Conforms to NYCDEP STD. DWG. 18583-Z.



With
Standard Cap



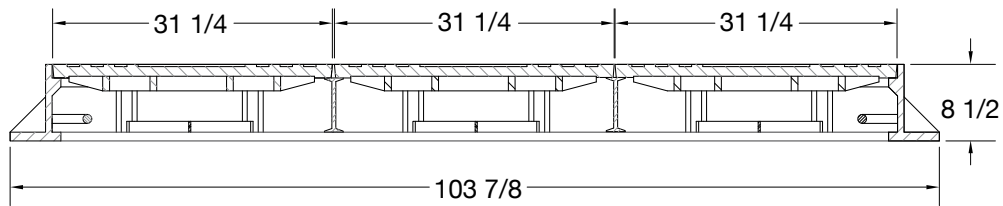
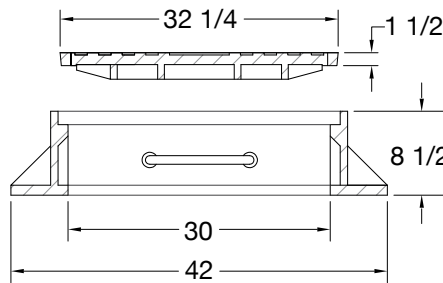
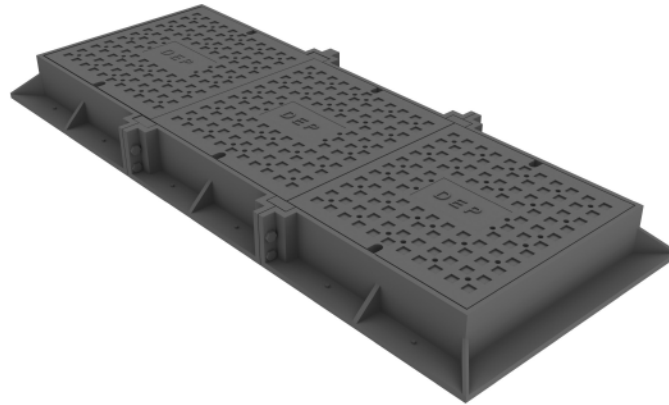
With
Historical Cap



PRODUCT NO.	CAP
99001	Standard
99002	Historical

NOTES:

- Dimensions are approximate & in inches
- Cap: Gray iron, Class 35B
- Conforms to ASTM A48 / A48M-03 specifications
- Fender: Schedule 80 Steel Pipe
- Fender with standard cap conforms to NYC DEP DWG. 45161-A-Z. Fender with historical cap conforms to NYC DEP DWG. 49500-Z.



PRODUCT NO.

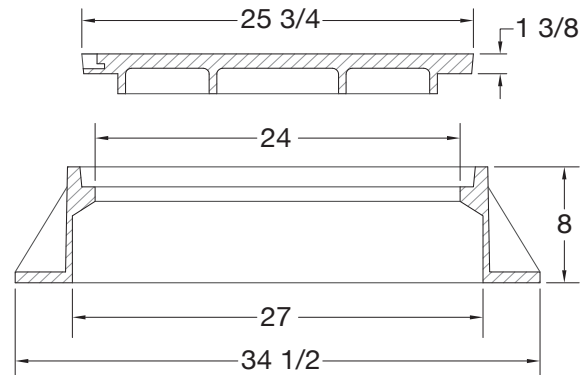
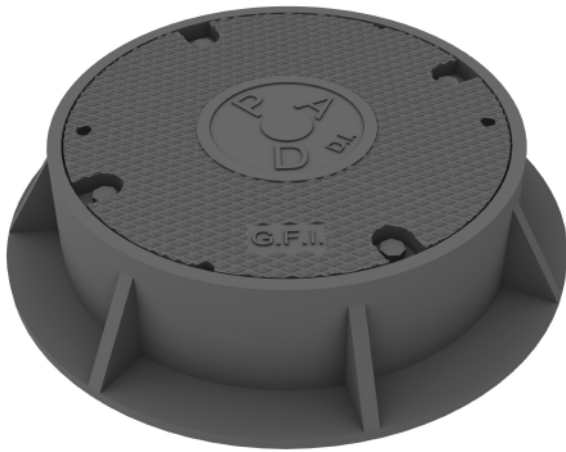
23008

NOTES:

- Dimensions are approximate & in inches
- Gray Iron, Class 35B
- Conforms to ASTM A48 / A48M-03 specifications
- Bolted covers also available
- Combined unit will be supplied unassembled
- Each additional intermediate unit added between the end units will increase the overall length by 31-3/8"



Drainage Manhole Frame and Cover



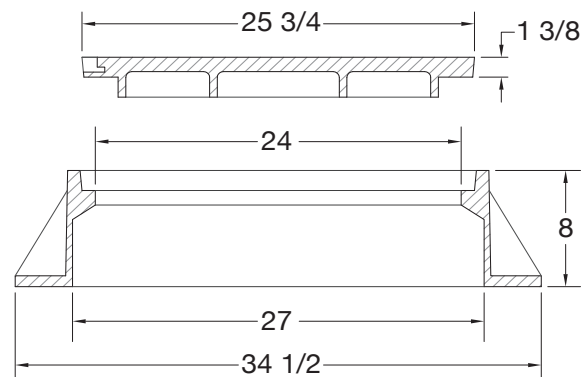
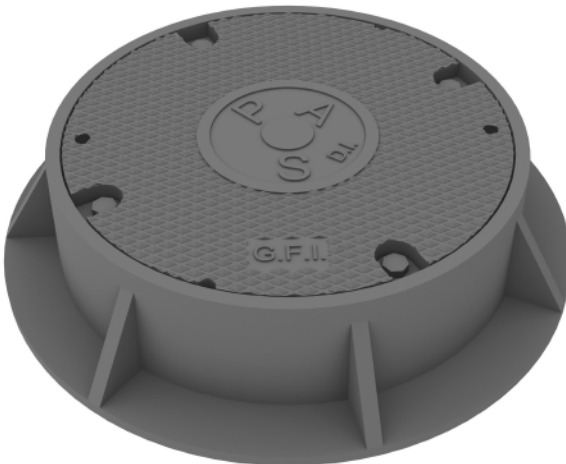
NOTES:

- Dimensions are approximate & in inches
- Gray Iron, Class 35B
- Conforms to ASTM A48 / A48M-03 specifications
- * Please specify if required in Ductile Iron

PRODUCT NO.

12681PAD

Sanitary Manhole Frame and Cover



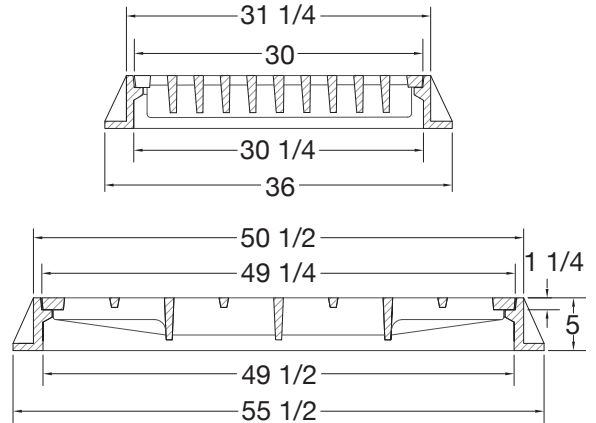
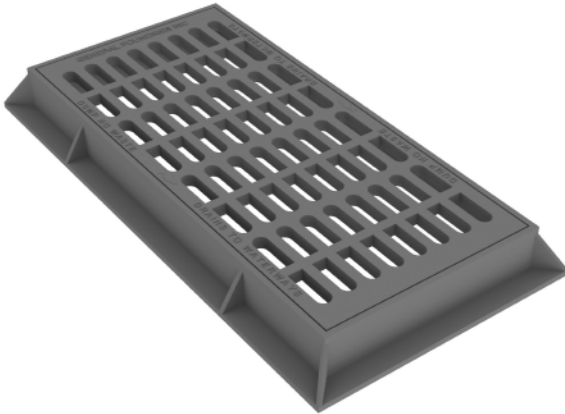
NOTES:

- Dimensions are approximate & in inches
- Gray Iron, Class 35B
- Conforms to ASTM A48 / A48M-03 specifications
- * Please specify if required in Ductile Iron

PRODUCT NO.

12681PAS

Type 2 Flush Inlet for Catch Basin



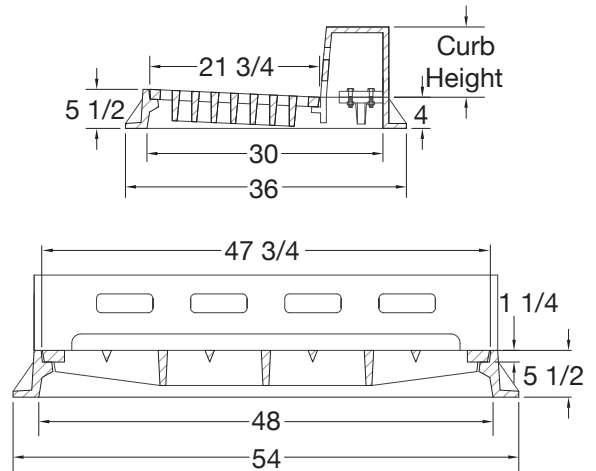
NOTES:

- Dimensions are approximate & in inches
- Gray Iron, Class 35B
- Conforms to ASTM A48 / A48M-03 specifications
- * Please specify if required in Ductile Iron, or with a bolted grate

PRODUCT NO.

23408PA

Type 4 Curb Inlet for Catch Basin

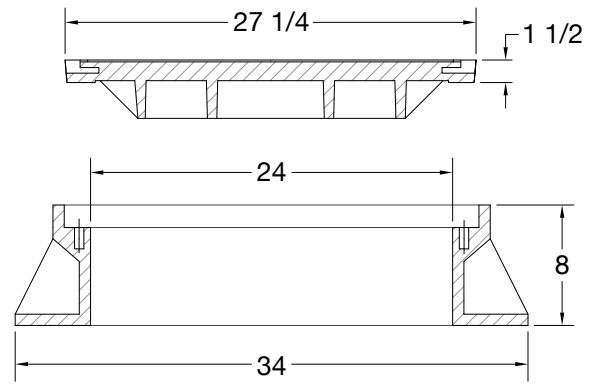
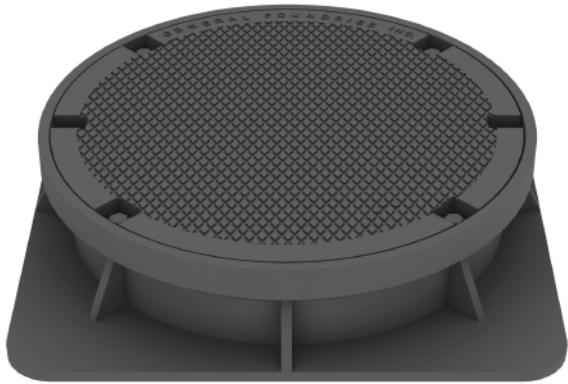


NOTES:

- Dimensions are approximate & in inches
- Gray Iron, Class 35B
- Conforms to ASTM A48 / A48M-03 specifications
- * Please specify if required in Ductile Iron, or with a bolted grate

PRODUCT NO.	CURB HEIGHT
22617-6N	6
22617-8N	8





PRODUCT NO.
12786

NOTES:

- Dimensions are approximate & in inches
- Frame: Gray Iron, Class 35B
- Conforms to ASTM A48 / A48M-03 specifications
- Cover: Ductile Iron
- Conforms to ASTM A536 specifications



Plan



Elevation



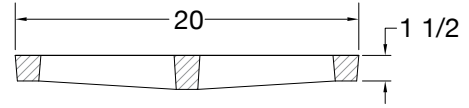
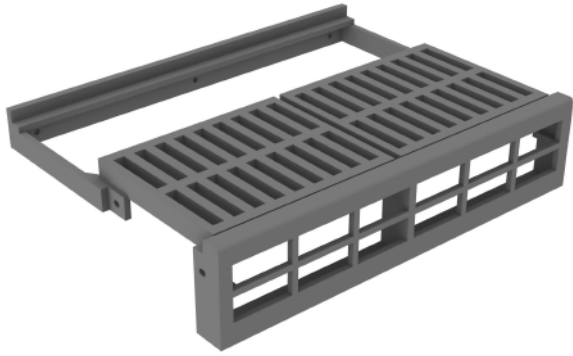
PRODUCT NO.

PAAPT

NOTES:

- Dimensions are approximate & in inches
- Frame: Gray Iron, Class 35B
- Conforms to ASTM A48 / A48M-03 specifications
- Cover: Ductile Iron
- Conforms to ASTM A536 specifications

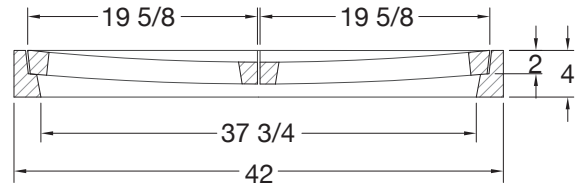
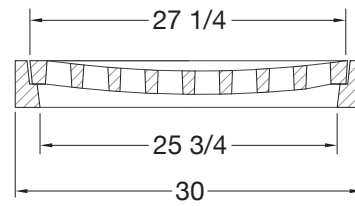




PRODUCT NO.
JFKCI

NOTES:

- Dimensions are approximate & in inches
- Gray Iron, Class 35B
- Conforms to ASTM A48 / A48M-03 specifications



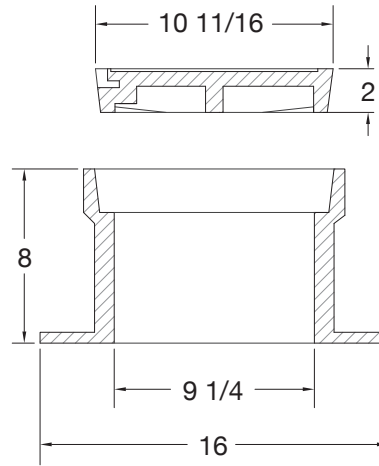
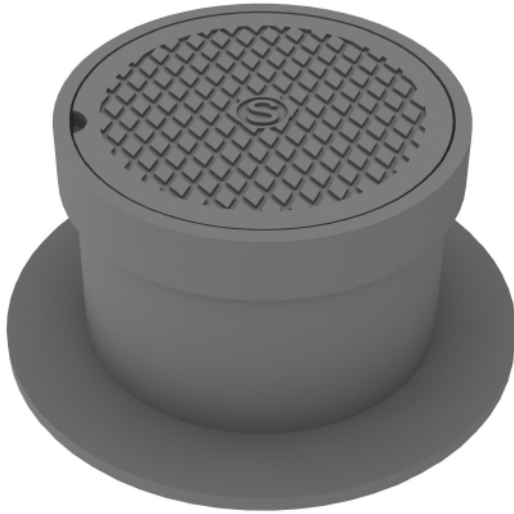
PRODUCT NO.

28416

NOTES:

- Dimensions are approximate & in inches
- Gray Iron, Class 35B
- Conforms to ASTM A48 / A48M-03 specifications
- Specifications: Conforms to North Carolina DOT DWG. 840-16



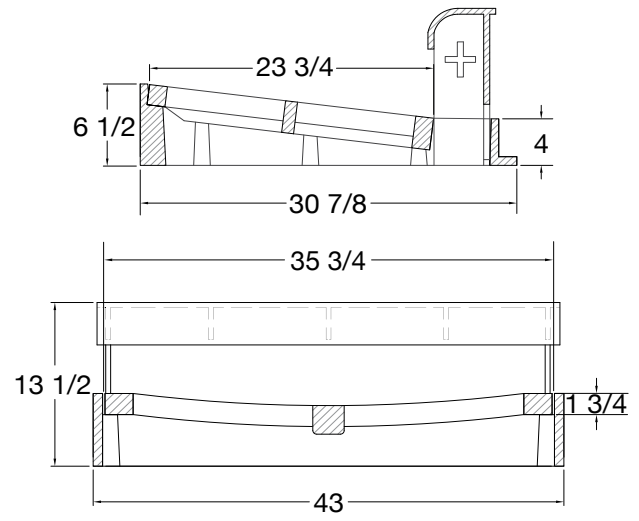


PRODUCT NO.
11081

NOTES:

- Dimensions are approximate & in inches
- Gray Iron, Class 35B
- Conforms to ASTM A48 / A48M-03 specifications





PRODUCT NO.

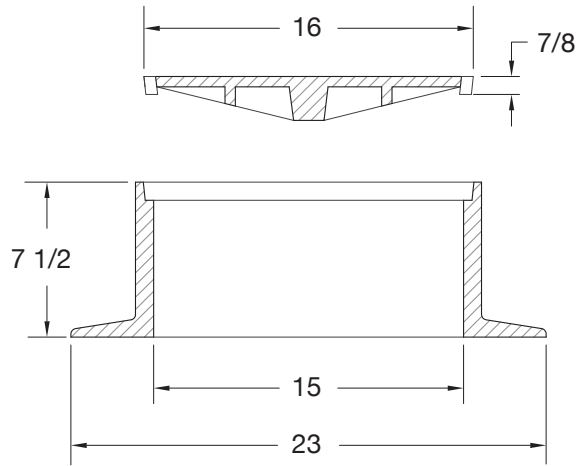
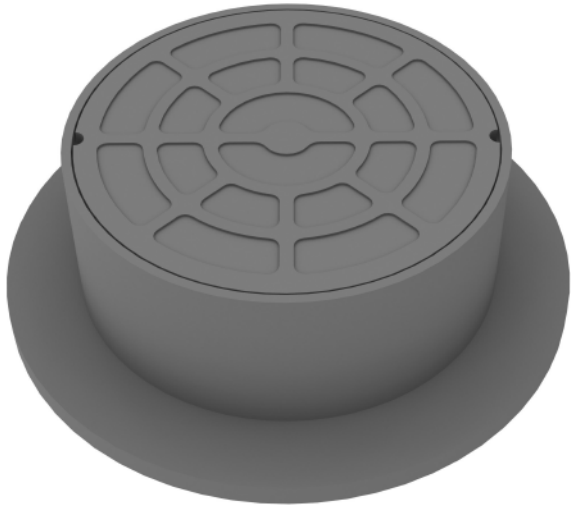
28403

NOTES:

- Dimensions are approximate & in inches
- Gray Iron, Class 35B
- Conforms to ASTM A48 / A48M-03 specifications
- Specifications: Conforms to North Carolina DOT DWG. 840-03



Monument Box

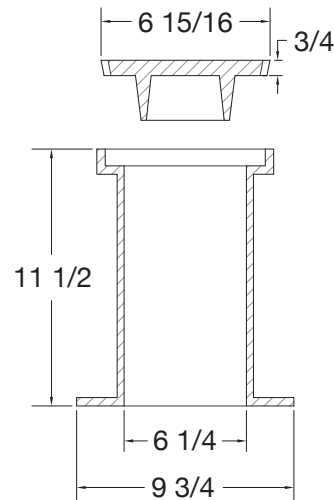


NOTES:

- Dimensions are approximate & in inches
- Gray Iron, Class 35B
- Conforms to ASTM A48 / A48M-03 specifications
- Markings: Plain, Cleanout, Sewer
- * Custom markings / logos available upon request

PRODUCT NO.
11671

Cleanout Box

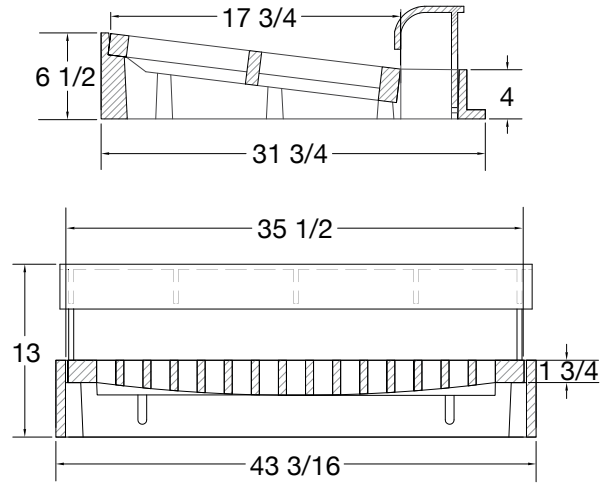


NOTES:

- Dimensions are approximate & in inches
- Gray Iron, Class 35B
- Conforms to ASTM A48 / A48M-03 specifications

PRODUCT NO.
10711



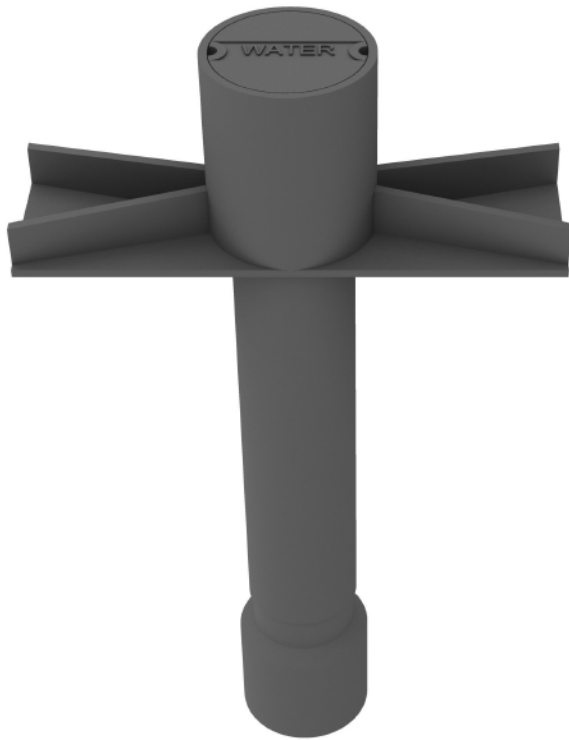


PRODUCT NO.
20074

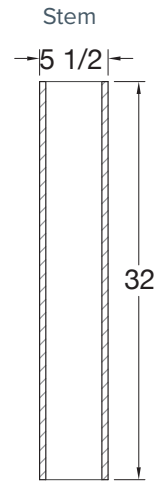
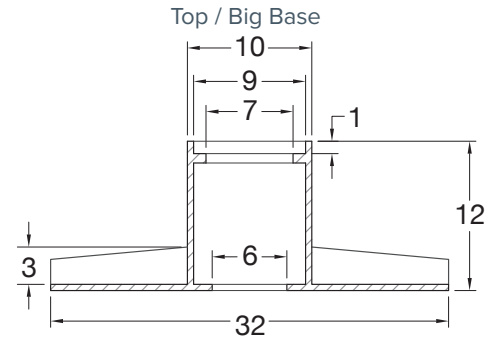
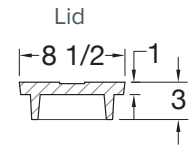
NOTES:

- Dimensions are approximate & in inches
- Gray Iron, Class 35B
- Conforms to ASTM A48 / A48M-03 specifications

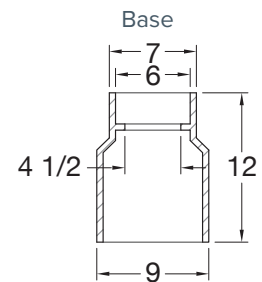
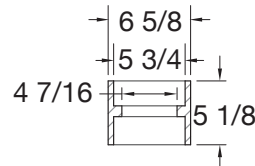




PRODUCT NO.
COLVB



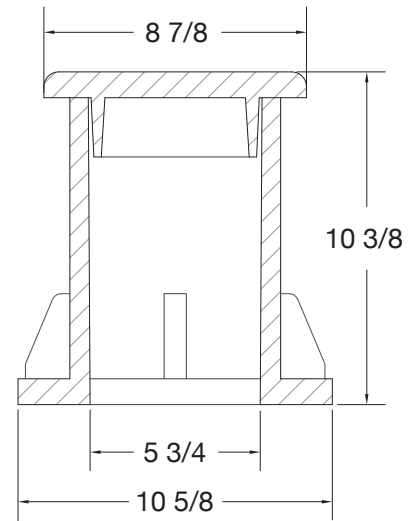
Stem Sleeve / Extension



NOTES:

- Dimensions are approximate & in inches
- Gray Iron, Class 30B
- Conforms to ASTM A48 / A48M-03 specifications
 - * Please specify if required in Class 35B or Ductile Iron
- Markings: Plain, Sewer, Water
 - * Custom markings / logos available upon request
- 1-1/4" & 1-1/2" cast iron risers available





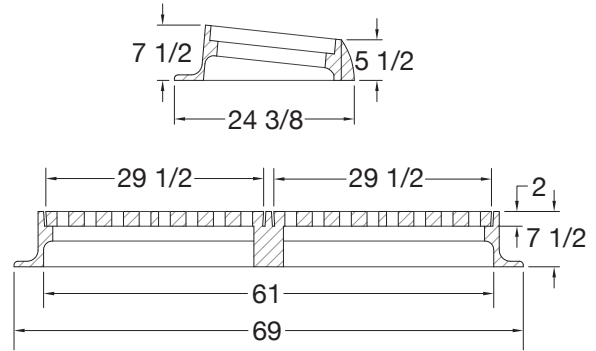
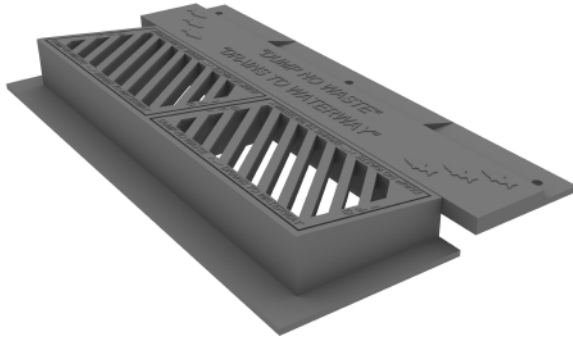
PRODUCT NO.

36108

NOTES:

- Dimensions are approximate & in inches
- Gray Iron, Class 30B
- Conforms to ASTM A48 / A48M-03 specifications
 - * Please specify if required in Class 35B or Ductile Iron
- Use for valves between 3/4"-2"





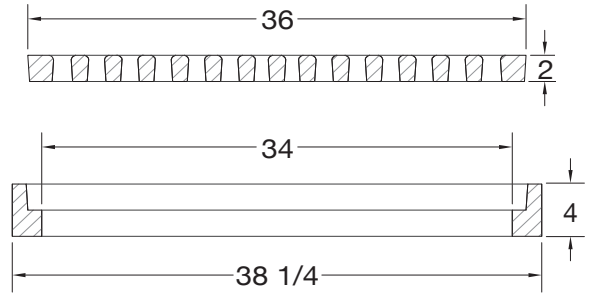
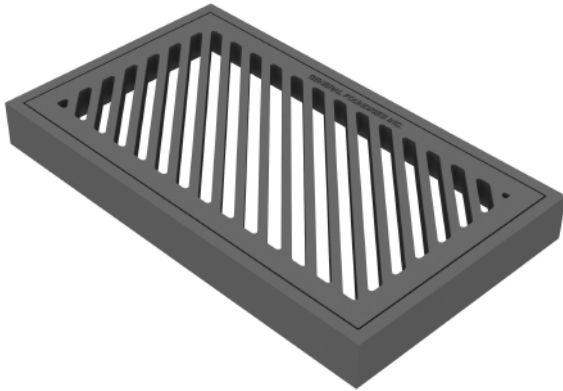
PRODUCT NO.
OHCBN

NOTES:

- Dimensions are approximate & in inches
- Gray Iron, Class 35B
- Conforms to ASTM A48 / A48M-03 specifications
 - * Please specify if required in Class 35B or Ductile Iron
- Grate also available in "Vane" style



Catch Basin Frame and Grate

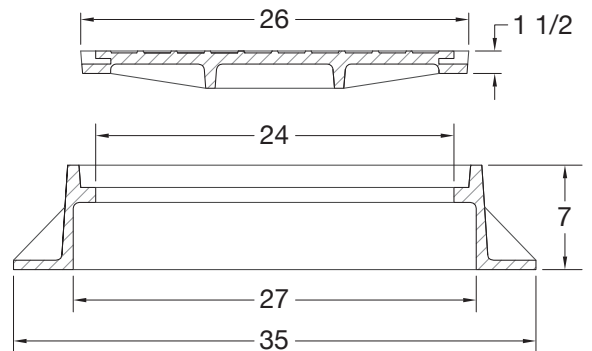


NOTES:

- Dimensions are approximate & in inches
- Gray Iron, Class 35B
- Conforms to ASTM A48 / A48M-03 specifications

PRODUCT NO.
20364

Manhole Frame and Cover



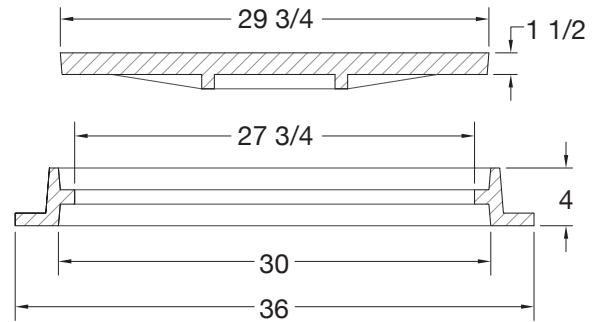
NOTES:

- Dimensions are approximate & in inches
- Gray Iron, Class 35B
- Conforms to ASTM A48 / A48M-03 specifications
- Optional bolted and gasketed cover available
- Watertight assembly also available

PRODUCT NO.
12671



Manhole Frame and Cover



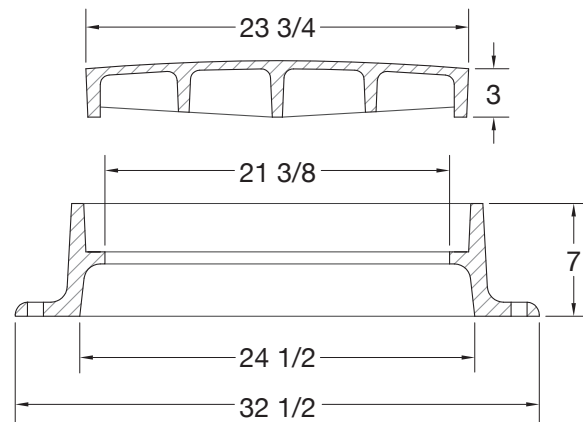
NOTES:

- Dimensions are approximate & in inches
- Gray Iron, Class 35B
- Conforms to ASTM A48 / A48M-03 specifications

PRODUCT NO.

13041

Manhole Frame and Cover

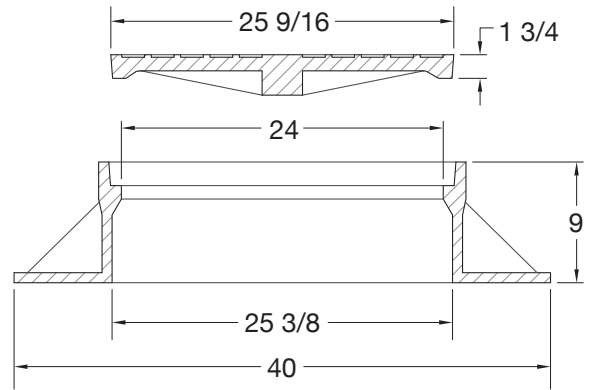
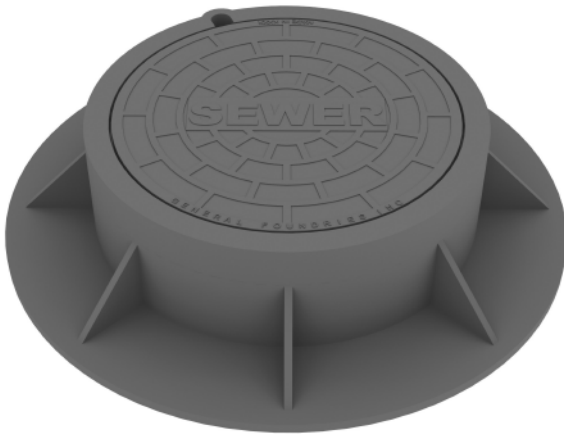


NOTES:

- Dimensions are approximate & in inches
- Gray Iron, Class 35B
- Conforms to ASTM A48 / A48M-03 specifications

PRODUCT NO.

12478



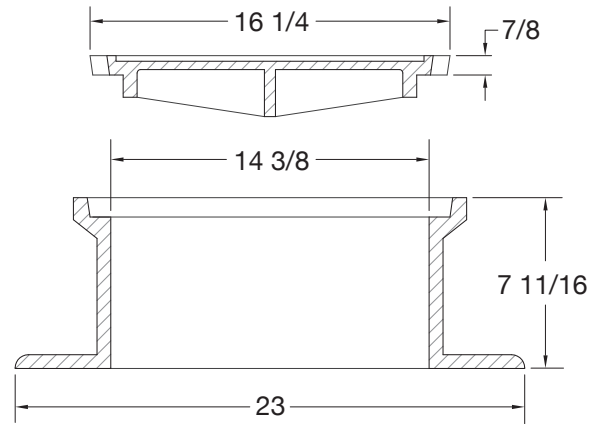
PRODUCT NO.

RI269

NOTES:

- Dimensions are approximate & in inches
- Gray Iron, Class 35B
- Conforms to ASTM A48 / A48M-03 specifications
- Markings: Drain, Electric, Sewer
- * Custom markings / logos available upon request



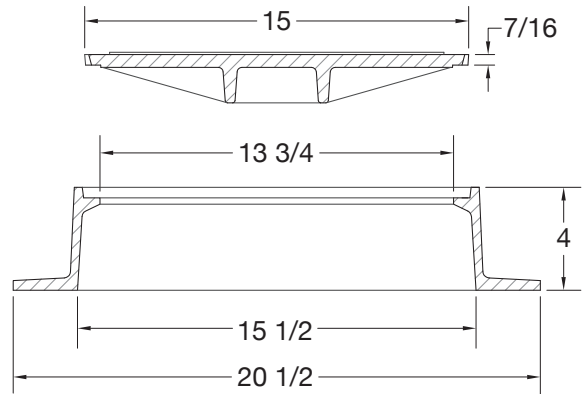


PRODUCT NO.
3NNVB

NOTES:

- Dimensions are approximate & in inches
- Gray Iron, Class 35B
- Conforms to ASTM A48 / A48M-03 specifications





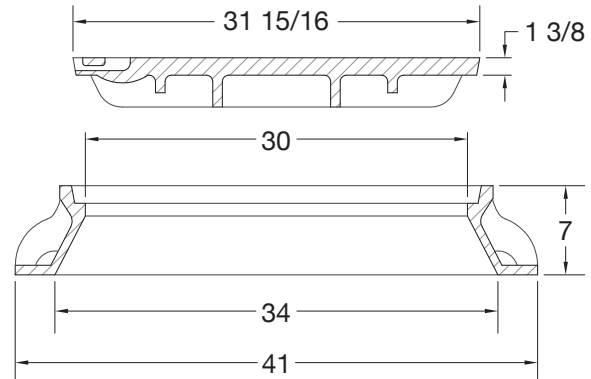
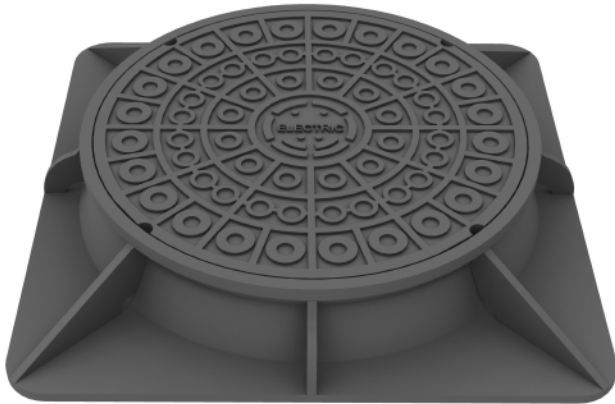
PRODUCT NO.
CWBVB

NOTES:

- Dimensions are approximate & in inches
- Gray Iron, Class 35B
- Conforms to ASTM A48 / A48M-03 specifications



Manhole Frame and Cover



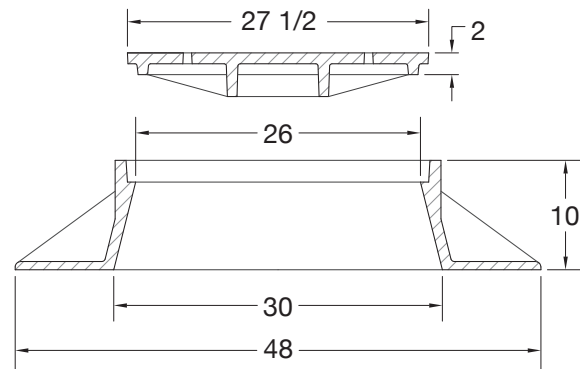
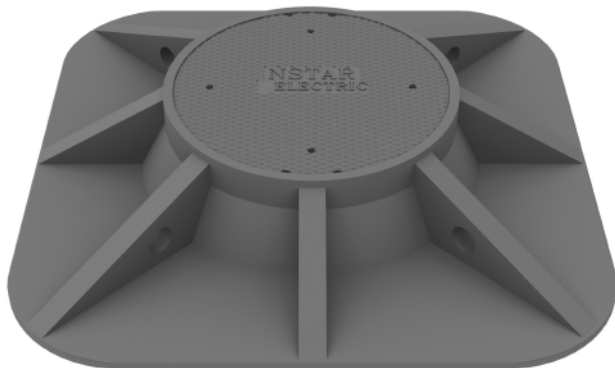
NOTES:

- Dimensions are approximate & in inches
- Gray Iron, Class 35B
- Conforms to ASTM A48 / A48M-03 specifications
- Markings: Plain, Communication, Electric, Telephone
- * Custom markings / logos available upon request

PRODUCT NO.

13278

Manhole Frame and Cover



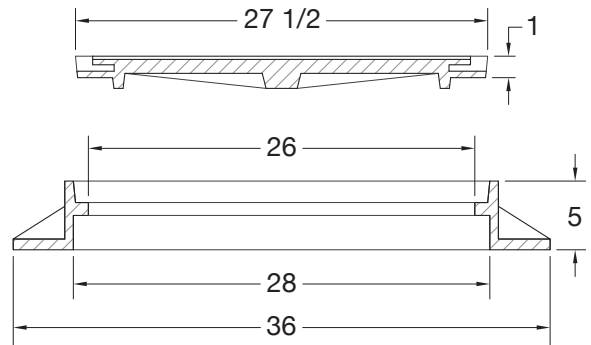
NOTES:

- Dimensions are approximate & in inches
- Gray Iron, Class 35B
- Conforms to ASTM A48 / A48M-03 specifications
- Markings: N-Star Electric
- * Custom markings / logos available upon request

PRODUCT NO.

12818

Manhole Frame and Cover

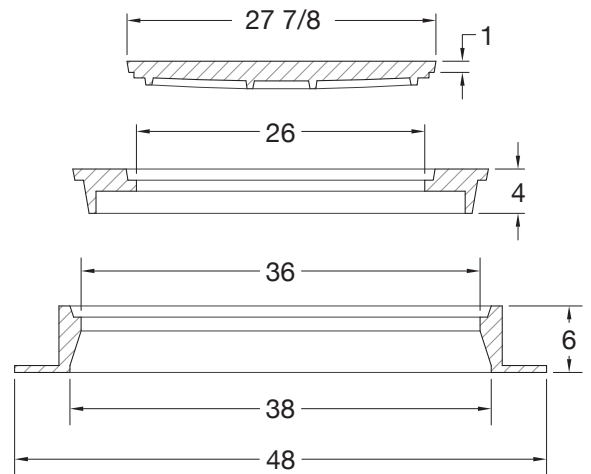
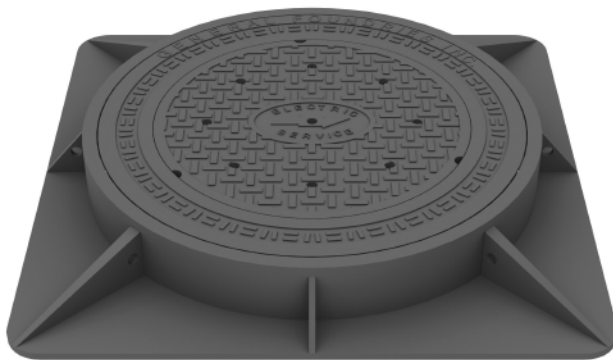


NOTES:

- Dimensions are approximate & in inches
- Gray Iron, Class 35B
- Conforms to ASTM A48 / A48M-03 specifications

PRODUCT NO.
12858

Manhole Frame and Cover



NOTES:

- Dimensions are approximate & in inches
- Gray Iron, Class 35B
- Conforms to ASTM A48 / A48M-03 specifications
- Markings: Electric Service
- * Custom markings / logos available upon request

PRODUCT NO.
13868

